

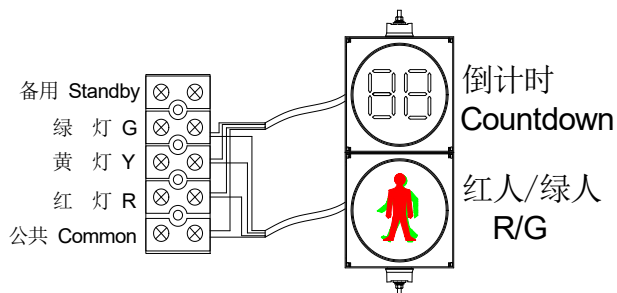


Φ300 Bi-color Countdown Meter + Static LED Pedestrian Traffic Light

Model No. : RX300-3-FM21 TYPE04



Connection Sketch



Black: Common
Red: Red Light
Yellow: Yellow Light
Green: Green Light

Wiring way:

- 1: connecting to the controller: Connect G, R and Common to the pedestrian interface in the controller
- 2: connecting to the vehicle traffic light: Connect G,Y, R and Common to the vehicle traffic lights like full ball or arrow lights if there is no pedestrian interface in the controller

Product Photo



Product Features

- Novel design with beautiful appearance
- Low power consumption
- High efficiency and brightness
- Large viewing angle
- Long lifespan-more than 80,000 hours
- Multi-layer sealed and waterproof
- Exclusive optical lensing and good color uniformity
- Long viewing distance
- Keep up with CE, GB14887-2011, EN12368 and relevant international standards



Technical Parameters:

Color	LED Qty	Light Intensity	Wave length	Viewing angle		Power	Working Voltage	Housing Material
				L/ R	U/D			
Red man	65pcs	$\geq 5000\text{cd/m}^2$	625±5nm	30°	30°	$\leq 8\text{W}$	12/24VDC; 85V-265VAC, 50/60HZ	PC UV resistant
Green man	81pcs	$\geq 5000\text{cd/m}^2$	505±5nm	30°	30°	$\leq 7\text{W}$		
Red timer	64pcs	$\geq 5000\text{cd/m}^2$	625±5nm	30°	30°	$\leq 10\text{W}$		
Green timer	64pcs	$\geq 5000\text{cd/m}^2$	505±5nm	30°	30°	$\leq 10\text{W}$		

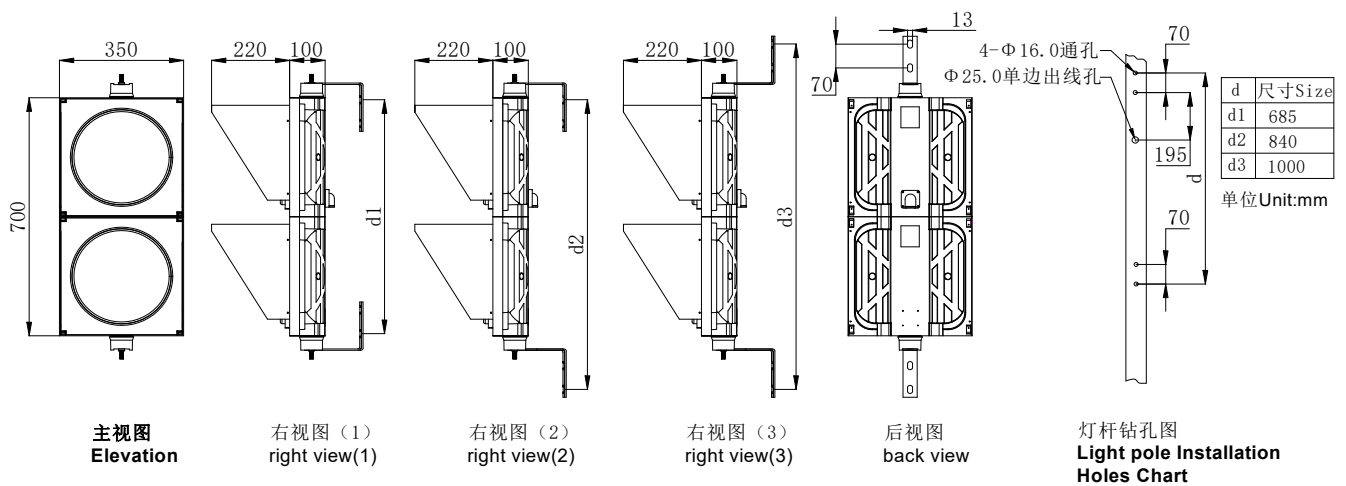
Packing Info. :

Carton size	QTY	GW	NW	Wrapper	Volume(m ³)
0.88*0.42*0.22 m	1pcs/carton	9 kg	7.3 kg	K=K Carton	0.081

Packing List :

Name	Light	L Bracket	Sun visor	M4×10 Screw	Using manual	certificate
Qty.(pcs)	1	2	2	8	1	1

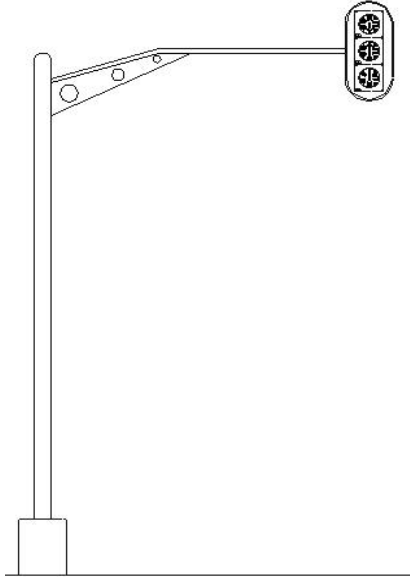
Installation Sketch





YANGZHOU FAMA Intelligent Equipment Co.,Ltd
Professional **LED Traffic Lights** Manufacturer & Exporter

Vertical installation



Horizontal installation

